

Q-130 • Q-210 • Q-270 Ice Cube Machines



Q-Series Model 130

- Up to 147 lbs. (67 kgs.) daily ice production
- CEE Tier 1 energy and water efficiency rating
- Only 26" (66.04 cm) wide, 26.50" (67.31 cm) deep, and 38.50" (82.55 cm) high on 6" (15.24 cm) legs
- 80 lbs. (36.6 kgs.) ice storage capacity



Q-Series Model 210

- Up to 220 lbs. (100 kgs.) daily ice production
- Up to CEE Tier 2 energy and water use rating
- Only 26" (66.04 cm) wide, 26.50" (67.31 cm) deep, and 38.50" (82.55 cm) high on 6" (15.24 cm) legs
- 80 lb. (36.6 kg) ice storage capacity



Q-Series Model 270

- Up to 290 lbs. (132 kgs.) daily ice production
- Up to CEE Tier 2 energy and water use rating
- Only 30" (76.2 cm) wide, 28.16" (71.52 cm) deep, and 38.50" (97.79 cm) high on 6" (15.24 cm) legs
- 100 lb. (45.45 kg) ice storage capacity

- Slide up and in bin door tucks under ice machine top cover. Patented ice damper maximizes ice storage capacity
- Stainless steel exterior with the fit and finish of an appliance
- Patented cleaning and sanitizing technology
- R-404A CFC-free refrigerant

- **Warranty**
5-year parts and 5-year labor coverage on ice machine evaporator
5-year parts and 3-year labor coverage on ice machine compressor
3-year parts-and-labor coverage on all other components



ISO 9001:2000
Quality System Certified

America's #1 Selling Ice Machine

Ice Cube & Flake Machines • Ice Storage Bins • Ice Dispensers

Manitowoc

Manitowoc Q-Series Models 130, 210 & 270

Model	Ice Shape	Ice Production 24 hours				Power kWh/100 lbs. @ 90°/70°F	CEE® Rating	ENERGY STAR
		70° F Air 50° F Water		90° F Air 70° F Water				
		lbs.	kgs.	lbs.	kgs.			
QD-0132A	dice	135	61	90	41	12.5	Tier 1	
QD-0133W	dice	130	59	105	48	9	Tier 1	
QY-0134A	half-dice	135	61	95	43	12.3	Tier 1	
QY-0135W	half-dice	135	61	110	50	8.8	Tier 1	
QD-0212A	dice	215	98	155	70	9.9	Tier 2	★
QD-0213W	dice	220	100	190	86	6.8	Tier 2	
QY-0214A	half-dice	215	98	155	70	9.9	Tier 2	★
QY-0215W	half-dice	220	100	190	86	6.8	Tier 2	
QD-0272A	dice	280	127	215	98	9	Tier 2	★
QD-0273W	dice	290	132	245	111	7.3	Tier 1	
QY-0274A	half-dice	280	127	215	98	9	Tier 2	★
QY-0275W	half-dice	290	132	245	111	7.3	Tier 1	

Water usage: 100 lbs./45.4 kgs. of Ice
Potable Water: 39 gallons, 127 liters
Water-cooled Condenser:
Q130: 185 gal. / 708 liters • Q210: 142 gal. / 537 liters • Q270: 167 gal. / 632 liters

Consortium for Energy Efficiency (CEE) is a North American nonprofit organization that promotes energy-efficient products, technologies and services, also the principal entity for the development of ice maker efficiency standards.



Certified in Accordance with ARI Ice Storage Bins Certification Program, which is based on ARI Standard 620

Model	24-HOUR PRODUCTION ↑ lbs. kgs.							
	AIR-COOLED UNIT				WATER-COOLED UNIT			
	air temp	water temp			air temp	water temp		
Q-130	°F	50"	70"	90"	°F	50"	70"	90"
	°C	10"	21"	32"	°C	10"	21"	32"
	70"	135	115	100	70"	130	110	90
	21"	61	52	45	21"	59	50	41
	80"	120	105	90	80"	125	105	85
Q-210	27"	54	48	41	27"	57	48	39
	90"	105	90	80	90"	120	110	80
	32"	48	41	36	32"	54	50	38
	70"	215	185	185	70"	220	205	170
	21"	98	84	75	21"	100	93	77
Q-270	80"	200	170	150	80"	215	200	165
	27"	91	77	68	27"	98	91	75
	90"	185	155	135	90"	205	190	155
	32"	84	70	61	32"	93	86	70
	70"	280	245	220	70"	290	255	235
Q-270	21"	127	111	100	21"	132	116	107
	80"	275	240	215	80"	285	250	230
	27"	125	109	98	27"	130	114	105
	90"	250	215	190	90"	280	245	225
	32"	114	98	86	32"	127	111	102

Production for Dice and Half Dice sizes.

Ice Machine Electric

115/60/1. (208-230/60/1 and 230/50/1 also available.) 115/60/1 ice machines are factory pre-wired with a 6' (180 cm) power cord and NEMA 5-15P-plug configuration. 208-230/60/1 ice machines are factory pre-wired with a 6' (180 cm) power cord only, no plug is supplied.

- Total Amps:**
- Q-130:** 115/60/1: Air-cooled: 7.0 amps / Water-cooled: 6.3 amps
208-230/60/1: Air-cooled: 3.1 amps / Water-cooled: 2.6 amps
 - Q-210:** 115/60/1: Air-cooled: 6.5 amps / Water-cooled: 6.1 amps
208-230/60/1: Air-cooled: 3.6 amps / Water-cooled: 3.1 amps
 - Q-270:** 115/60/1: Air-cooled: 10.7 amps. / Water-cooled: 9.9 amps.
208-230/60/1: Air-cooled: 5.2 amps / Water-cooled: 4.7 amps

Maximum fuse size: Air and Water-cooled: 15 amps
HACR-type circuit breakers can be used in place of fuses.

Specifications

- BTU Per Hour:**
Q-130: 2,400 (average) 2,900 (peak)
Q-210: 2,400 (average) 3,400 (peak)
Q-270: 3,800 (average) 6,000 (peak)
- Compressor:**
Nominal rating: 1/3 HP
- Cupra-Nickel Condenser:**
(Water-cooled models) Adds protection from corrosive water elements.
- Operating Limits:**
- Ambient Temperature Range: 40° to 110°F (4.4° to 43.3°C)
 - Water Temperature Range: 45° to 90°F (4.4° to 32.2°C)
 - Water Pressure Ice Maker Water In: Min. 20 psi (137.9 kPa) Max. 80 psi (551.1 kPa)
 - Condenser Inlet Water In: (Water-cooled only) Min. 20 psi (137.9 kPa) Max. 150 psi (1,034.2 kPa)

Air Flow Front View



Air in left, air out right, no side vents.

Front Access



Initiate ice, off and clean operations with simple upfront selector switch. No need to remove front panel.

Air Filter

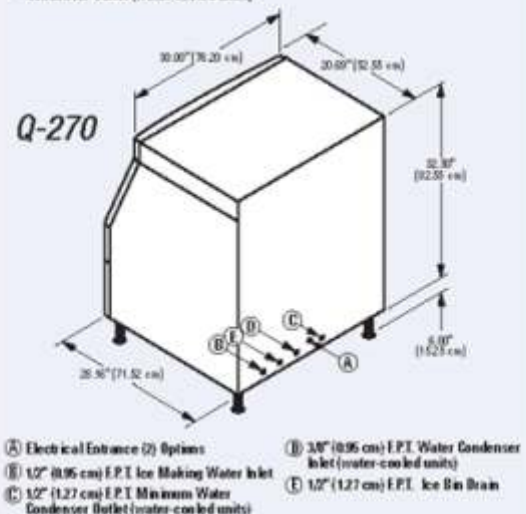
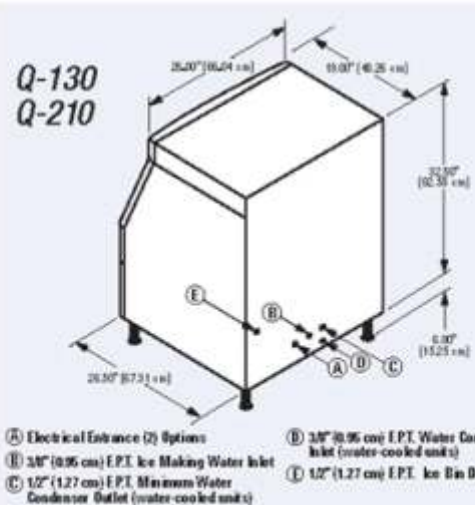


Slides out from left side front without tools, easy to clean, reusable filter protects condenser from lint, grease and dust.

2 Cube Sizes

Half Dice
3/4" x 1 1/4" x 7/8"
(96 x 2.86 x 2.22 cm)

Dice
7/8" x 7/8" x 7/8"
(2.22 x 2.22 x 2.22 cm)



Installation Note - Recommended clearance for top, sides, and back is 5" (12.7 cm) however, there is no minimum clearance required.

4156 ©2009 Manitowoc 208 Cooling product improvement may result in change of specifications without notice.



We are committed to protecting the environment and its resources. For up-to-date product data always view an electronic version on our web site.



Refrigeración y Accesorios, S.A. De C.V.
Carretera a Nogales 5577-A
Col. Rancho San Francisco C.P. 45090
Zapopan, Jalisco

ventas@reacsa.com.mx
www.reacsa.com.mx