

S-Series 850 Ice Cube Machine



SY-0854A Ice Machine
on B-570 Bin



ANITATION

We've made it
simple to clean



AVINGS

The perfect balance of
power and efficiency



OUND

Designed to run
whisper-quiet



ERVICEABILITY

Easy access means
less downtime

- Up to 940 lbs. (426 kgs.) daily ice production
- **Up to CEE Tier 3 energy and water efficiency rating**
- Only 30" (76.2 cm) wide
- Removable water distribution tube with no tools
- Food zone designed with soft, round, cove corners
- Patented cleaning and sanitizing technology
- Select components made with AlphaSan[®] antimicrobial
- Hinged front door for easy access
- **Warranty**
 - 5-year parts and 5-year labor coverage on ice machine evaporator
 - 5-year parts and 3-year labor coverage on ice machine compressor
 - 3-year parts-and-labor coverage on all other ice machine, dispenser, and storage bin components

America's #1 Selling Ice Machine

Ice Cube & Flake Machines • Ice Storage Bins • Ice Dispensers




Manitowoc S-Series 850

Model	Ice Shape	Ice Production 24 Hours				Power kWh/100 lbs. @ 90°/70°F			ENERGY STAR*	
		70°Air/50°F Water		90°Air/70°F Water		1 ph	CEE Rating*	3 ph		
		lbs.	kgs.	lbs.	kgs.					
SY-0854A	half-dice	940	426	725	329	5.3	Tier 2	5.2	Tier 1	★
SY-0855W	half-dice	875	397	810	367	4.2	Tier 2	4.2	Tier 1	
SD-0852A	dice	785	356	615	279	6	Tier 1	5.8	Tier 1	
SD-0853W	dice	835	379	740	336	4.5	Tier 1	4.5	Tier 1	
REMOTE AIR-COOLED WITH JC-0895A CONDENSER										
SY-0894N	half-dice	860	390	750	340	5.3	Tier 2	5.2	Tier 2	★
SD-0892N	dice	750	340	645	293	5.9	Tier 1	5.7	Tier 2	

Water usage/100 lbs./45.4 kgs. of ice
Potable Water: 18 gallons, 66 liters • Water-cooled Condenser: 145 gallons, 546 liters

Order ice storage bin separately. "A" or "W" following model number indicates "Air" or "Water" condensing unit, ice storage bin and JC-0895A remote condenser must be ordered separately. Consult remote condenser specification sheet for details. To order 3 phase add "3" suffix to model # (SD-0892A3).

*Conservation for Energy Efficiency (CEE) is a North American nonprofit organization that promotes energy-efficient products, technologies and services, also the principal entity for the development of ice maker efficiency standards.

 Certified in Accordance with ARI Automatic Commercial Ice-Cube Machines (Batch-Type) Certification Program, which is based on ARI Standard B10

Ice Machine Electric

208-230/60/1 standard. (208-230/60/3 and 230/50/1 also available.)

Min. circuit ampacity: Air-cooled: 11.9 1ph, 9.2 3ph
Water-cooled: 10.9 1ph, 8.2 3ph
Remote: 11.9 1ph, 9.2 3ph

Max. fuse size: Air-cooled, Water-cooled, Remote: 20 amps 1ph
15 amps 3ph

HACR-type circuit breakers can be used in place of fuses.

Specifications

BTU Per Hour:
13,000 (average) 16,000 (peak)

Compressor:
Nominal rating: 1-1/2 HP

Cupra-Nickel Condenser:
(Water-cooled models)

Adds protection from
corrosive water elements.

Operating Limits:

- Ambient Temperature Range:
Air and water-cooled:
35° to 110°F (4.4° to 43.3°C)
Remote: -20° to 120°F (-29° to 49°C)
- Water Temperature Range:
35° to 90°F (4.4° to 32.2°C)
- Water Pressure Ice Maker
Water In:
Min. 20 psi (137.9 kPa)
Max. 80 psi (551.1 kPa)
- Condenser Inlet Water In:
(Water cooled only)
Min. 20 psi (137.9 kPa)
Max. 150 psi (1,034.2 kPa)

Air Flow Top View



AuCS®/SI Accessory



Automatic Cleaning System purchased factory installed in the machine or as an option for field retrofit.

2 Cube Sizes Available



24-HOUR PRODUCTION!								lbs. kgs.
air temp	HALF-DICE CUBE				DICE CUBE			
	water temp		water temp		air temp		water temp	
	°F	°C	°F	°C	°F	°C	°F	°C
70°	50°	10°	70°	21°	70°	50°	70°	90°
21°	10°	21°	32°	21°	10°	21°	32°	21°
80°	21°	80°	27°	80°	21°	80°	27°	80°
27°	27°	386	356	329	27°	324	306	286
90°	27°	760	725	650	90°	645	615	575
32°	32°	345	329	295	32°	293	279	261
70°	70°	875	800	720	70°	835	755	690
21°	21°	397	363	327	21°	379	342	308
80°	80°	885	790	715	80°	810	740	665
27°	27°	392	358	324	27°	367	336	302
90°	27°	855	810	710	90°	780	740	655
32°	32°	388	367	322	32°	354	336	297
70°	70°	860	795	730	70°	750	700	645
21°	21°	390	361	331	21°	340	318	293
80°	80°	815	755	695	80°	715	665	615
27°	27°	370	342	315	27°	324	302	279
90°	27°	780	750	655	90°	680	645	585
32°	32°	354	340	297	32°	308	293	265

Space-Saving Designs

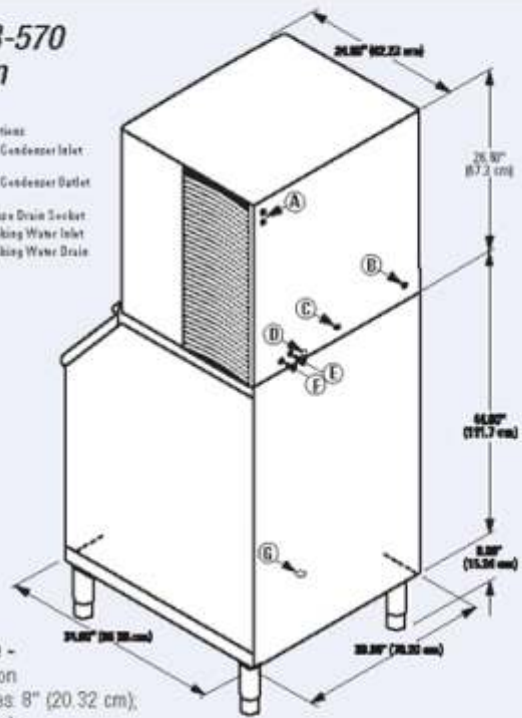


	S-850 B-570	S-850 B-970*
Height	76.50" 194.30 cm	76.50" 194.30 cm
Width	30.00" 76.20 cm	48.00" 121.92 cm
Depth	34.00" 86.30 cm	34.00" 86.30 cm
Bin Storage	430 lbs 195 kgs	710 lbs 322.2 kgs

Height includes adjustable bin legs 6.00" to 8.00", (15.24 to 20.32 cm) set at 6.00" (15.24 cm). For comparison purposes multiply ARI capacity by 1.3 (30%) to arrive at approximate "Application Rating Capacity." *N-00370 bin adapter required.

S-850 on B-570 Storage Bin

- Electric Entrance (2) Options
- 3/8" (9.5 mm) FPT Water Condenser Inlet (water-cooled units)
- 1/2" (12.7 mm) FPT Water Condenser Outlet (water-cooled units)
- 1/2" (12.7 mm) Auxiliary Drain Drain Socket
- 3/8" (9.5 mm) FPT Ice Making Water Inlet
- 1/2" (12.7 mm) FPT Ice Making Water Drain
- 3/8" (9.5 mm) Bin Drain



Installation Note -
Minimum installation clearance—Top/sides: 8" (20.32 cm).
Back is 5" (12.7 cm).

27 DCE ©2010 Manitowoc - 850 Condensing unit/condenser may require design of modification without notice.



Refrigeración y Accesorios, S.A. De C.V.
Carretera a Nogales 5577-A
Col. Rancho San Francisco C.P. 45090
Zapopan, Jalisco

ventas@reacsa.com.mx
www.reacsa.com.mx